

IMPORTANT:
These shop drawings are our interpretation of the contract documents. It shall be the responsibility of the General Contractor (or Construction Manager) to review these drawings for compliance with the design intent and Contract Documents. When these drawings are returned with "Approved" or "Approved As Noted" or "Reviewed" stamped on them, it shall constitute the General Contractor's (or Construction Manager's) and Architects agreement that the shop drawings do comply with the design intent and the contract documents.

DO NOT SCALE PLANS:
Copying, Printing, Software and other processes required to produce these prints can stretch or shrink the actual paper or layout. Therefore, scaling of this drawing may be inaccurate. Contact the Glazing Contractor for any additional dimensions or clarifications.

DRAWINGS PREPARED BY:



Charrette Studios, Inc.
23581 Donaldson St.
Clinton Township, MI. 48035
(586) 790-4329
(586) 790-4346 (fx)

Revision or Issue:		
No.	Date	Subject
1	01-14-11	First Submittal

PROJECT NAME AND LOCATION:

EUCLID TECH CENTER
6700 Euclid Avenue
Cleveland, Ohio 44103

Storefront & Curtain Wall
Shop Drawings

ARCHITECT:
GEIS COMPANIES
10020 AURORA HUDSON ROAD
STREETSBORO, OHIO 44241
PH: 330-528-3500 | FAX: 330-528-0008

GENERAL CONTRACTOR:
GEIS COMPANIES
10020 AURORA HUDSON ROAD
STREETSBORO, OHIO 44241
PH: 330-528-3500 | FAX: 330-528-0008

SEAL:

DRAWING TITLE:

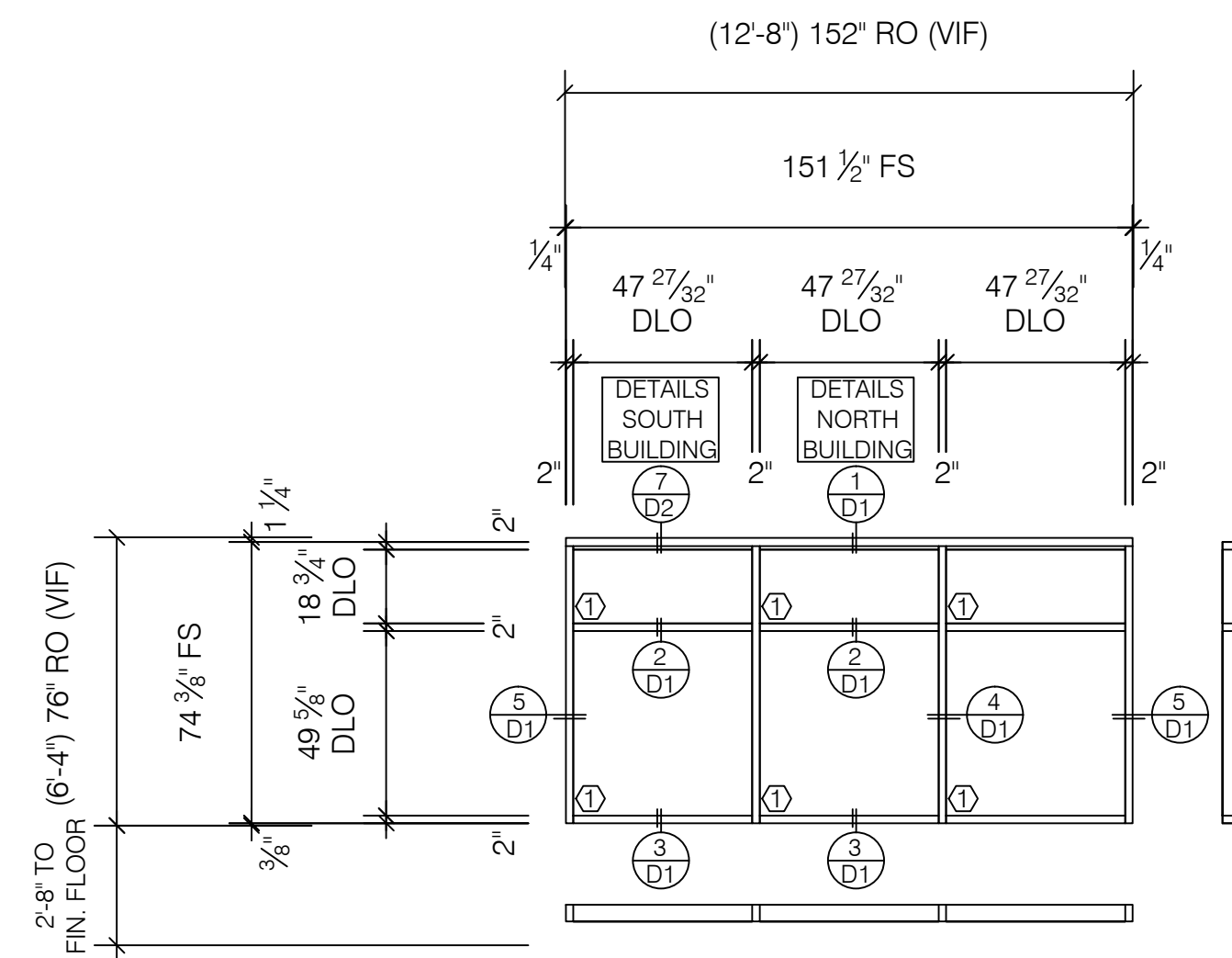
ELEVATIONS

SCALE: 1/4" = 1' - 0"

CSI PROJECT NO: 01031020
PROJECT MANAGER: T. MANSELL
DRAWN BY: MJC
DATE: 01-14-11

DRAWING NO:

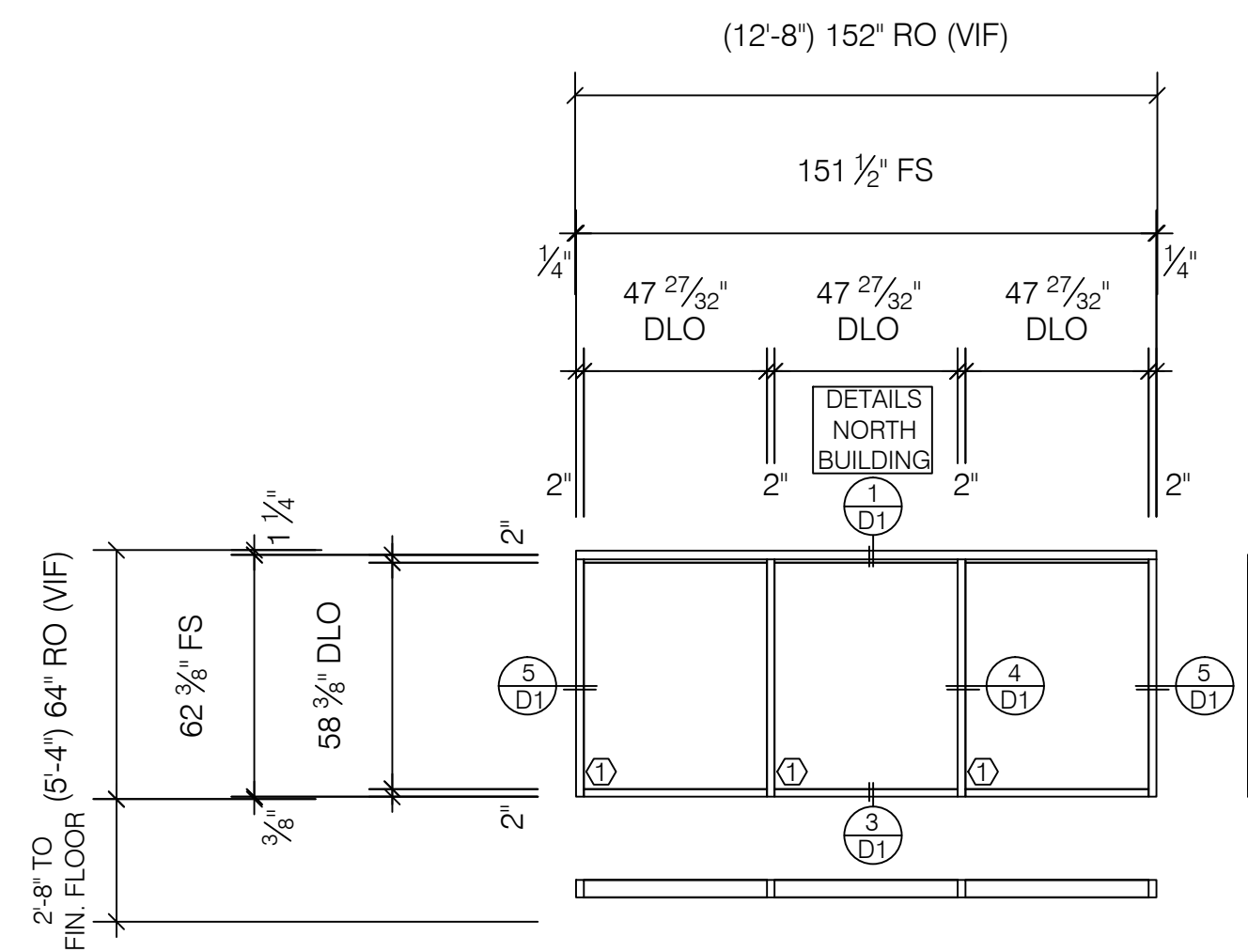
E3



2 @ SOUTH BUILDING / 1 @ NORTH BUILDING

TYPE 'F' ELEVATION

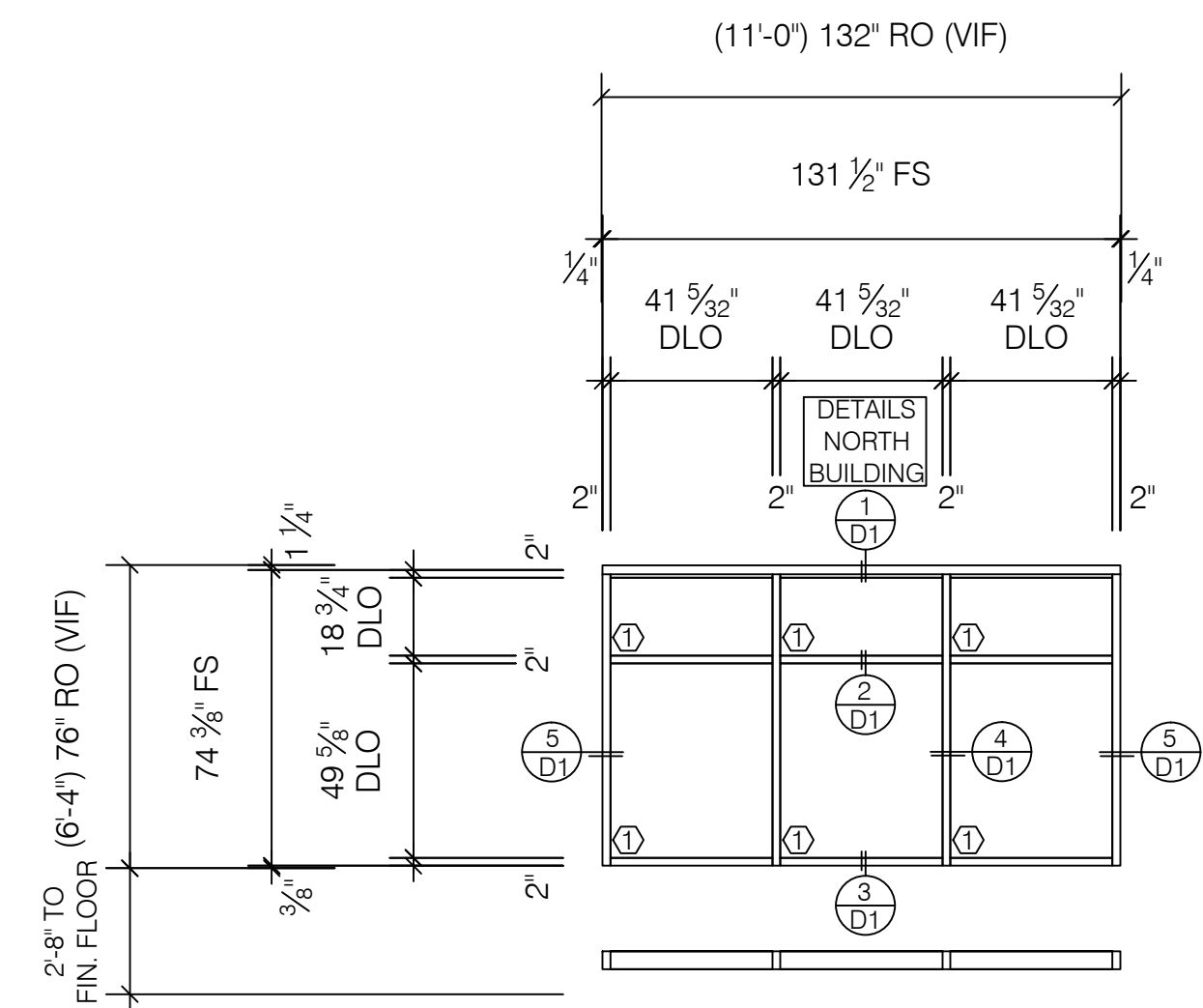
(3 THUS)
VISTAWALL FG-3000 SERIES



1 @ NORTH BUILDING

TYPE 'F1' ELEVATION

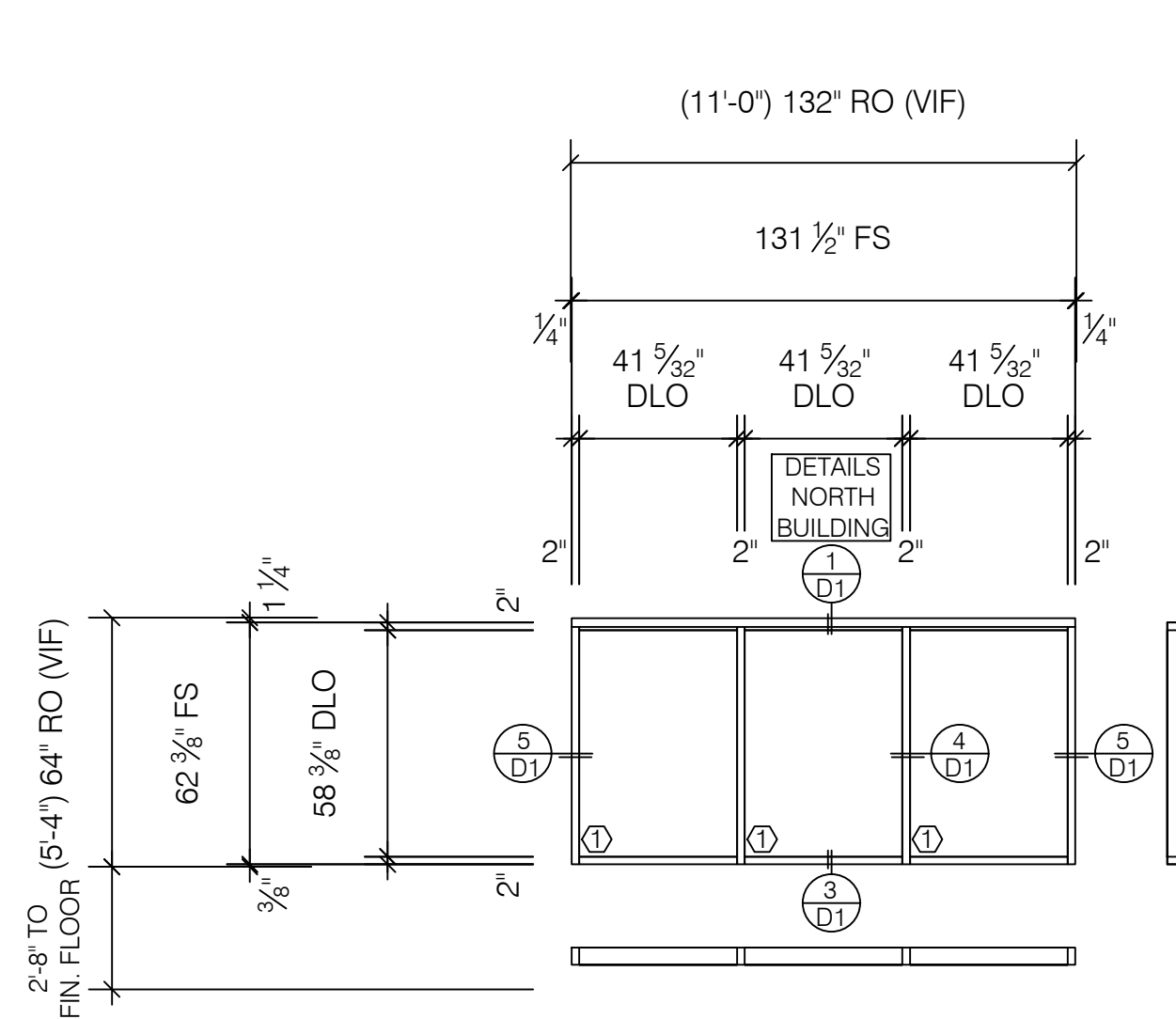
(1 THUS)
VISTAWALL FG-3000 SERIES



1 @ NORTH BUILDING

TYPE 'G' ELEVATION

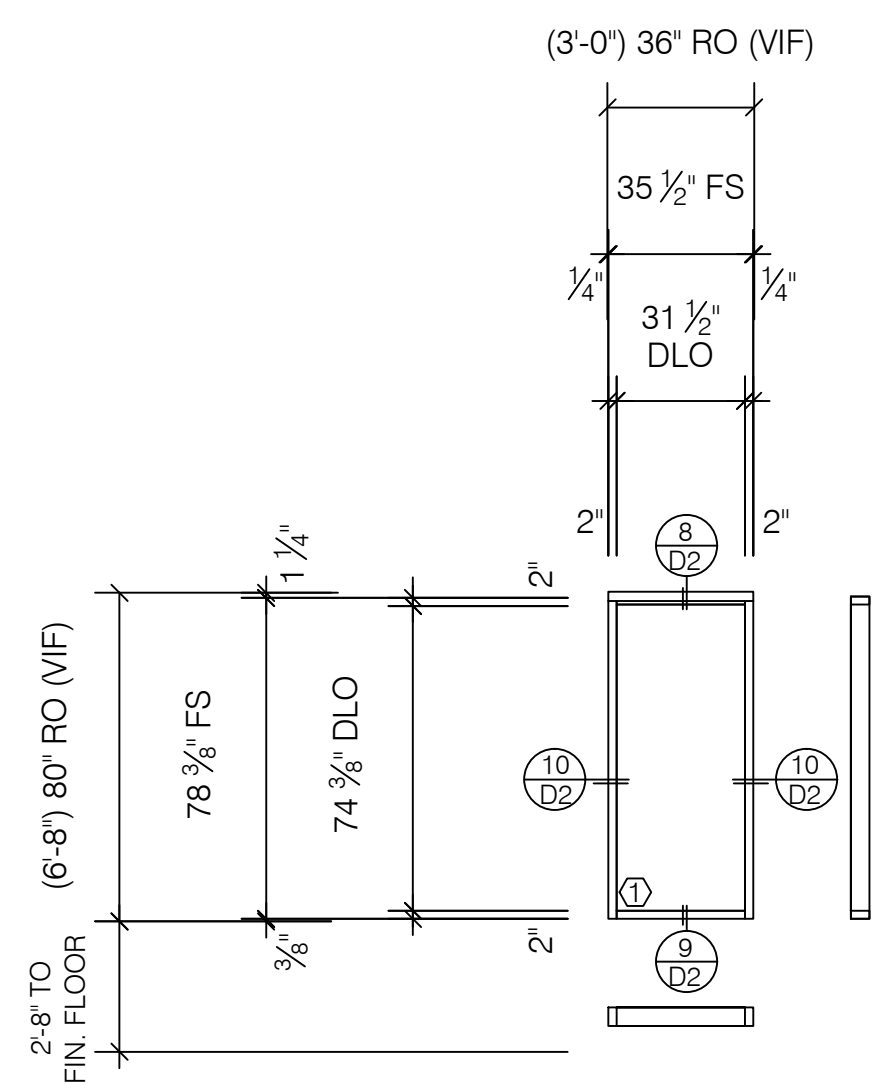
(1 THUS)
VISTAWALL FG-3000 SERIES



1 @ NORTH BUILDING

TYPE 'G1' ELEVATION

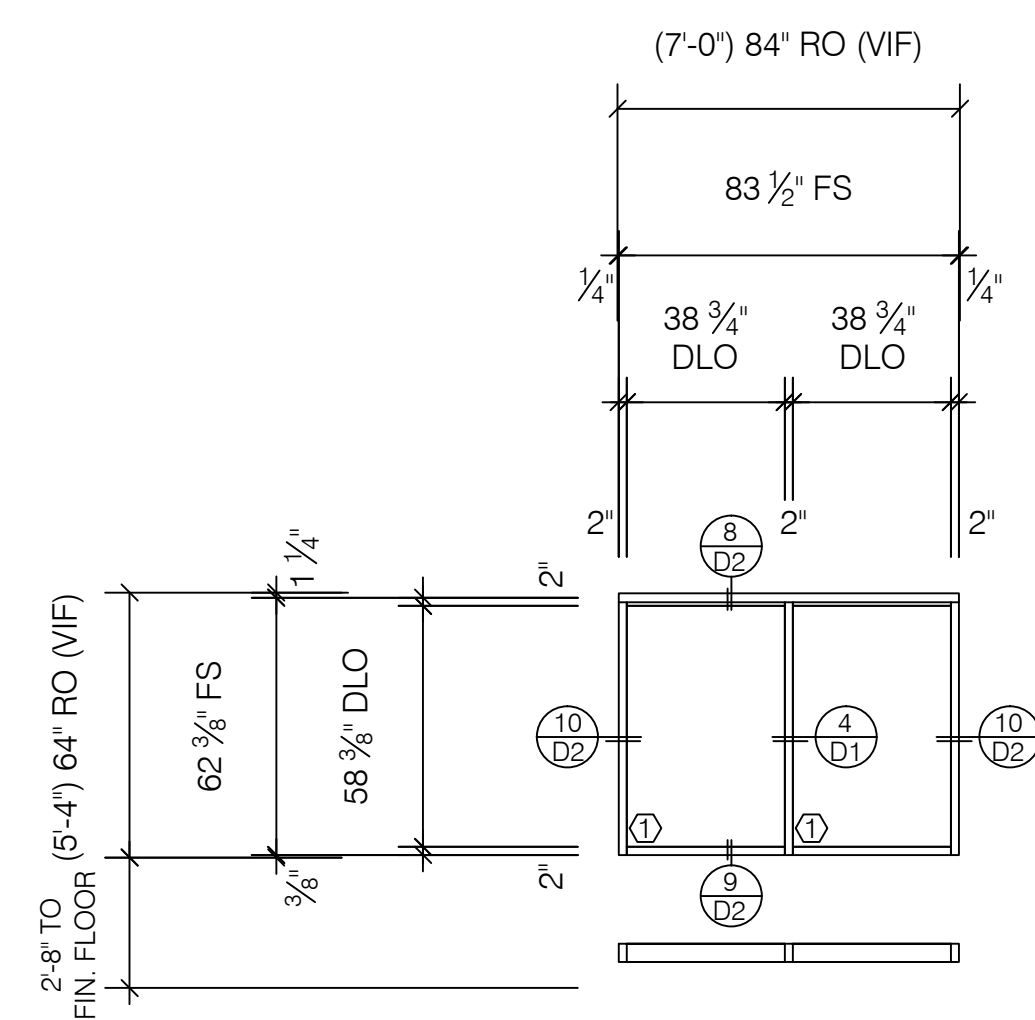
(1 THUS)
VISTAWALL FG-3000 SERIES



8 @ SOUTH BUILDING

TYPE 'H' ELEVATION

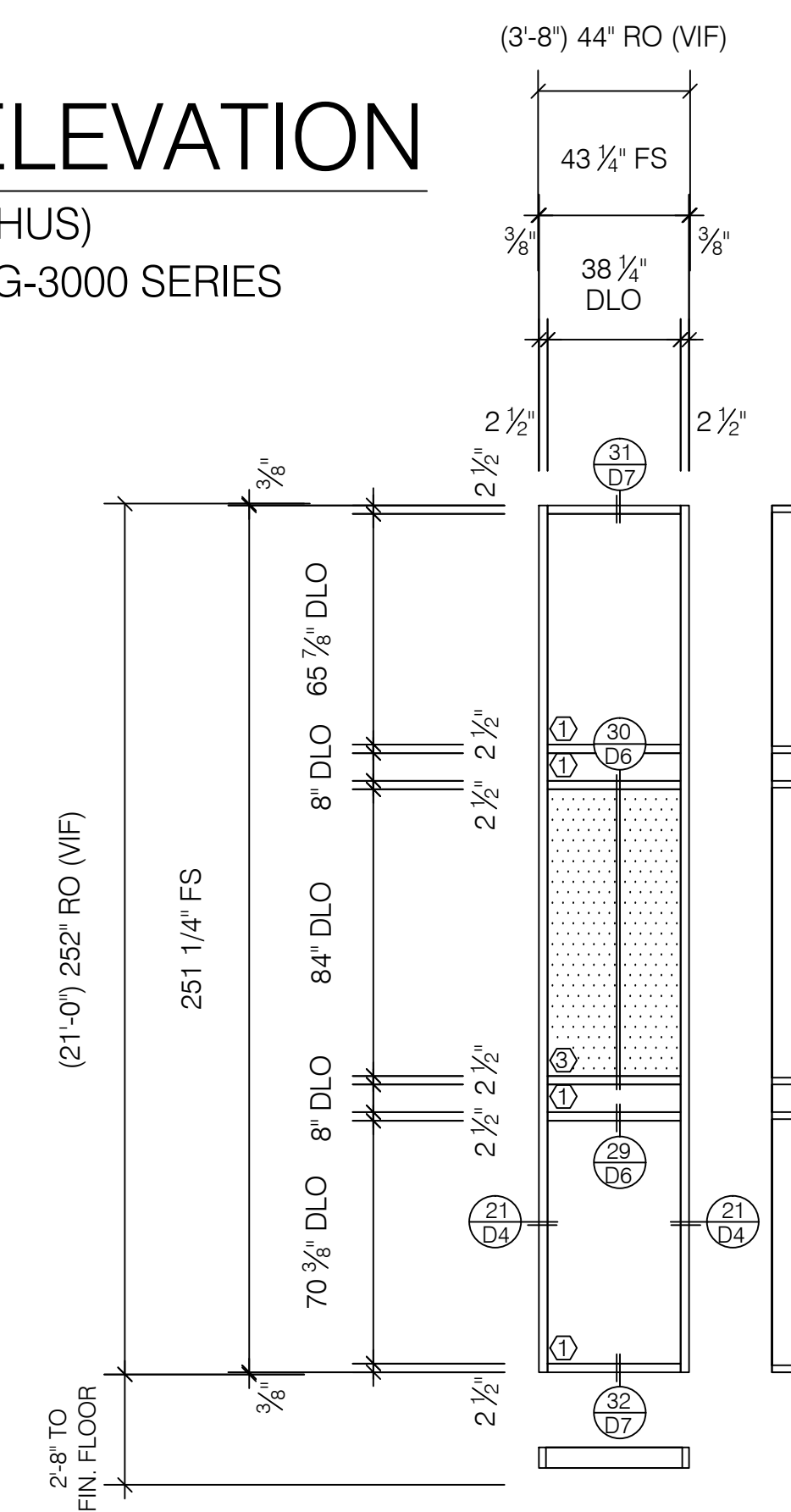
(8 THUS)
VISTAWALL FG-3000 SERIES



3 @ NORTH BUILDING

TYPE 'J' ELEVATION

(3 THUS)
VISTAWALL FG-3000 SERIES



2 @ NORTH BUILDING

TYPE 'K' ELEVATION

(2 THUS)
VISTAWALL CW-250 SERIES