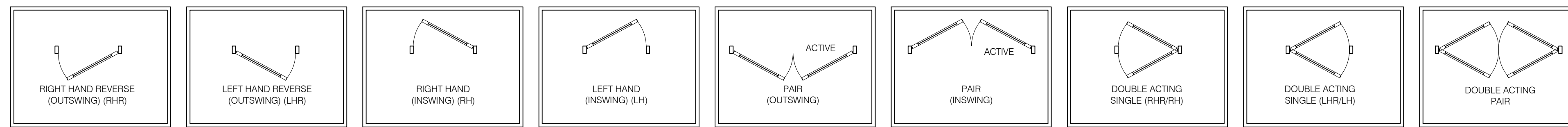
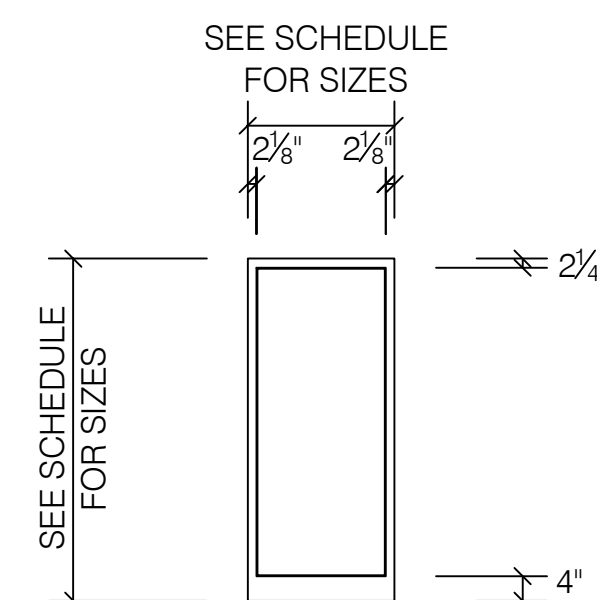


DOOR NO.	DOOR SIZE	DOOR			FRAME			HARDWARE SET NO.	DOOR LOCATION	DOOR SWING
		TYPE	MATERIAL	GLASS	TYPE	MATERIAL	GLASS			
100A	(2) 3'-0" x 7'-0"	A	ALUMINUM	1"	S	ALUMINUM	1"	1	NORTH BUILDING	PAIR
101A	(2) 3'-0" x 7'-0"	A	ALUMINUM	1"	S	ALUMINUM	1"	1	NORTH BUILDING	PAIR
102A	(2) 3'-0" x 7'-0"	A	ALUMINUM	1"	CW1	ALUMINUM	1"	2	NORTH BUILDING	PAIR
103A	(2) 3'-0" x 7'-0"	A	ALUMINUM	1"	S	ALUMINUM	1"	1	NORTH BUILDING	PAIR
104A	(2) 3'-0" x 7'-0"	A	ALUMINUM	1"	M2	ALUMINUM	1"	1	NORTH BUILDING	PAIR
105A	(2) 3'-0" x 7'-0"	A	ALUMINUM	1"	T	ALUMINUM	1"	2	SOUTH BUILDING	PAIR
106A	(2) 3'-0" x 7'-0"	A	ALUMINUM	1"	L	ALUMINUM	1"	1	SOUTH BUILDING	PAIR
107A	(2) 3'-0" x 7'-0"	A	ALUMINUM	1"	L (OPP.)	ALUMINUM	1"	1	SOUTH BUILDING	PAIR
108A	(2) 3'-0" x 7'-0"	A	ALUMINUM	1"	CW2	ALUMINUM	1"	1	SOUTH BUILDING	PAIR
109A	(2) 3'-0" x 7'-0"	A	ALUMINUM	1"	L	ALUMINUM	1"	1	SOUTH BUILDING	PAIR
110A	(2) 3'-0" x 7'-0"	A	ALUMINUM	1"	L (OPP.)	ALUMINUM	1"	1	SOUTH BUILDING	PAIR
111A	(2) 3'-0" x 7'-0"	A	ALUMINUM	1"	CW2	ALUMINUM	1"	1	SOUTH BUILDING	PAIR
112A	(2) 3'-0" x 7'-0"	A	ALUMINUM	1"	L	ALUMINUM	1"	1	SOUTH BUILDING	PAIR
113A	(2) 3'-0" x 7'-0"	A	ALUMINUM	1"	L (OPP.)	ALUMINUM	1"	1	SOUTH BUILDING	PAIR
114A	(2) 3'-0" x 7'-0"	A	ALUMINUM	1"	CW2	ALUMINUM	1"	1	SOUTH BUILDING	PAIR
115A	3'-0" x 7'-0"	A	ALUMINUM	1"	R	ALUMINUM	1"	3	SOUTH BUILDING	LHR
116A	(2) 3'-0" x 7'-0"	A	ALUMINUM	1"	L (OPP.)	ALUMINUM	1"	1	SOUTH BUILDING	PAIR
117A	(2) 3'-0" x 7'-0"	A	ALUMINUM	1"	CW2	ALUMINUM	1"	1	SOUTH BUILDING	PAIR
118A	(2) 3'-0" x 7'-0"	A	ALUMINUM	1"	Q	ALUMINUM	1"	2	SOUTH BUILDING	PAIR
119A	(2) 3'-0" x 7'-0"	A	ALUMINUM	1"	Q	ALUMINUM	1"	2	SOUTH BUILDING	PAIR
120A	(2) 3'-0" x 7'-0"	A	ALUMINUM	1"	L	ALUMINUM	1"	1	NORTH BUILDING	PAIR



## DOOR ELEVATIONS



**DOOR TYPE "A" ELEVATION**  
VISTAWALL NS-212 SERIES NARROW STILE

	DOOR #	100A, 101B, 103A, 104A, 106A - 114A, 116A, 117A & 120A	DOOR SERIES:	212 SERIES NARROW STILE
	HRDW SET #	1	QTY:	2 LEAFS
		FIN:	CLEAR ANODIZED	ELEVATION TYPE:
				CW2, L, M2 & S
HARDWARE DESCRIPTION				
QUANTITY	ITEM	PART# / DESCRIPTION	FINISH	MANUFACTURER
2	BUTT HINGES			
2	PULLS			
2	KEY LOCK			
2	CONCEALED ROD PANICS			
2	CLOSER			
1	THRESHOLD			
	WEATHER STRIPPING			

	DOOR #	102A, 105A, 118A & 119A	DOOR SERIES:	212 SERIES NARROW STILE
	HRDW SET #	2	QTY:	2 LEAFS
		FIN:	CLEAR ANODIZED	ELEVATION TYPE:
				CW1, T & Q
HARDWARE DESCRIPTION				
QUANTITY	ITEM	PART# / DESCRIPTION	FINISH	MANUFACTURER
2	BUTT HINGES			
2	PULLS			
2	KEY LOCK			
2	CONCEALED ROD PANICS			
2	CLOSER			
1	THRESHOLD			
	WEATHER STRIPPING			
	ACCESS CONTROL			

	DOOR #	115A	DOOR SERIES:	212 SERIES NARROW STILE
	HRDW SET #	3	QTY:	1 LEAFS
		FIN:	CLEAR ANODIZED	ELEVATION TYPE:
				R
HARDWARE DESCRIPTION				
QUANTITY	ITEM	PART# / DESCRIPTION	FINISH	MANUFACTURER
1	BUTT HINGES			
1	PULLS			
1	KEY LOCK			
1	CONCEALED ROD PANICS			
1	CLOSER			
1	THRESHOLD			
	WEATHER STRIPPING			



ALLIED GLASS SERVICES  
15115 CHATFIELD AVENUE  
CLEVELAND, OHIO 44111  
(216) 251-7400  
(216) 251-7436 (FAX)

**IMPORTANT:**  
These shop drawings are our interpretation of the contract documents. It shall be the responsibility of the General Contractor (or Construction Manager) to review these drawings for compliance with the design intent and Contract Documents. When these drawings are returned with "Approved" or "Approved As Noted" or "Reviewed" stamped on them, it shall constitute the General Contractor's (or Construction Manager's) and Architects agreement that the shop drawings do comply with the design intent and the contract documents.

**DO NOT SCALE PLANS:**  
Copying, Printing, Software and other processes required to produce these prints can stretch or shrink the actual paper or layout. Therefore, scaling of this drawing may be inaccurate. Contact the Glazing Contractor for any additional dimensions or clarifications.

DRAWINGS PREPARED BY:



Charrette Studios, Inc.  
23581 Donaldson St.  
Clinton Township, MI. 48035  
(586) 790-4329  
(586) 790-4346 (fx)

No.	Date	Subject
1	01-14-11	First Submittal

PROJECT NAME AND LOCATION:

**EUCLID TECH CENTER**  
6700 Euclid Avenue  
Cleveland, Ohio 44103

Storefront & Curtain Wall  
Shop Drawings

ARCHITECT:  
**GEIS COMPANIES**  
10020 AURORA HUDSON ROAD  
STREETSBORO, OHIO 44241  
PH: 330-528-3500 | FAX: 330-528-0008

GENERAL CONTRACTOR:  
**GEIS COMPANIES**  
10020 AURORA HUDSON ROAD  
STREETSBORO, OHIO 44241  
PH: 330-528-3500 | FAX: 330-528-0008

SEAL:

DRAWING TITLE:

**DOOR SCHEDULE**

SCALE: NOT TO SCALE

CSI PROJECT NO: 01031020  
PROJECT MANAGER: T. MANSELL  
DRAWN BY: MJC  
DATE: 01-14-11

DRAWING NO:

**DS1**