

**IMPORTANT:**  
These shop drawings are our interpretation of the contract documents. It shall be the responsibility of the General Contractor (or Construction Manager) to review these drawings for compliance with the design intent and Contract Documents. When these drawings are returned with "Approved" or "Approved As Noted" or "Reviewed" stamped on them, it shall constitute the General Contractor (or Construction Manager) and Architects agreement that the shop drawings do comply with the design intent and the contract documents.

**DO NOT SCALE PLANS:**  
Copying, Printing, Software and other processes required to produce these prints can stretch or shrink the actual paper or layout. Therefore, scaling of this drawing may be inaccurate. Contact the Glazing Contractor for any additional dimensions or clarifications.

DRAWING PREPARED BY:



Charrette Studios, Inc.  
23581 Donaldson St.  
Clinton Township, MI. 48035  
(586) 790-4329  
(586) 790-4346 (fx)

Revision or Issue:		
No.	Date	Subject
1	01-14-11	First Submittal

PROJECT NAME AND LOCATION:

**EUCLID TECH CENTER**  
6700 Euclid Avenue  
Cleveland, Ohio 44103

Storefront & Curtain Wall  
Shop Drawings

ARCHITECT:

**GEIS COMPANIES**  
10020 AURORA HUDSON ROAD  
STREETSBORO, OHIO 44241  
PH: 330-528-3500 | FAX: 330-528-0008

GENERAL CONTRACTOR:

**GEIS COMPANIES**  
10020 AURORA HUDSON ROAD  
STREETSBORO, OHIO 44241  
PH: 330-528-3500 | FAX: 330-528-0008

SEAL:

DRAWING TITLE:

**DETAILS**

SCALE: FULL

CSI PROJECT NO: 01031020

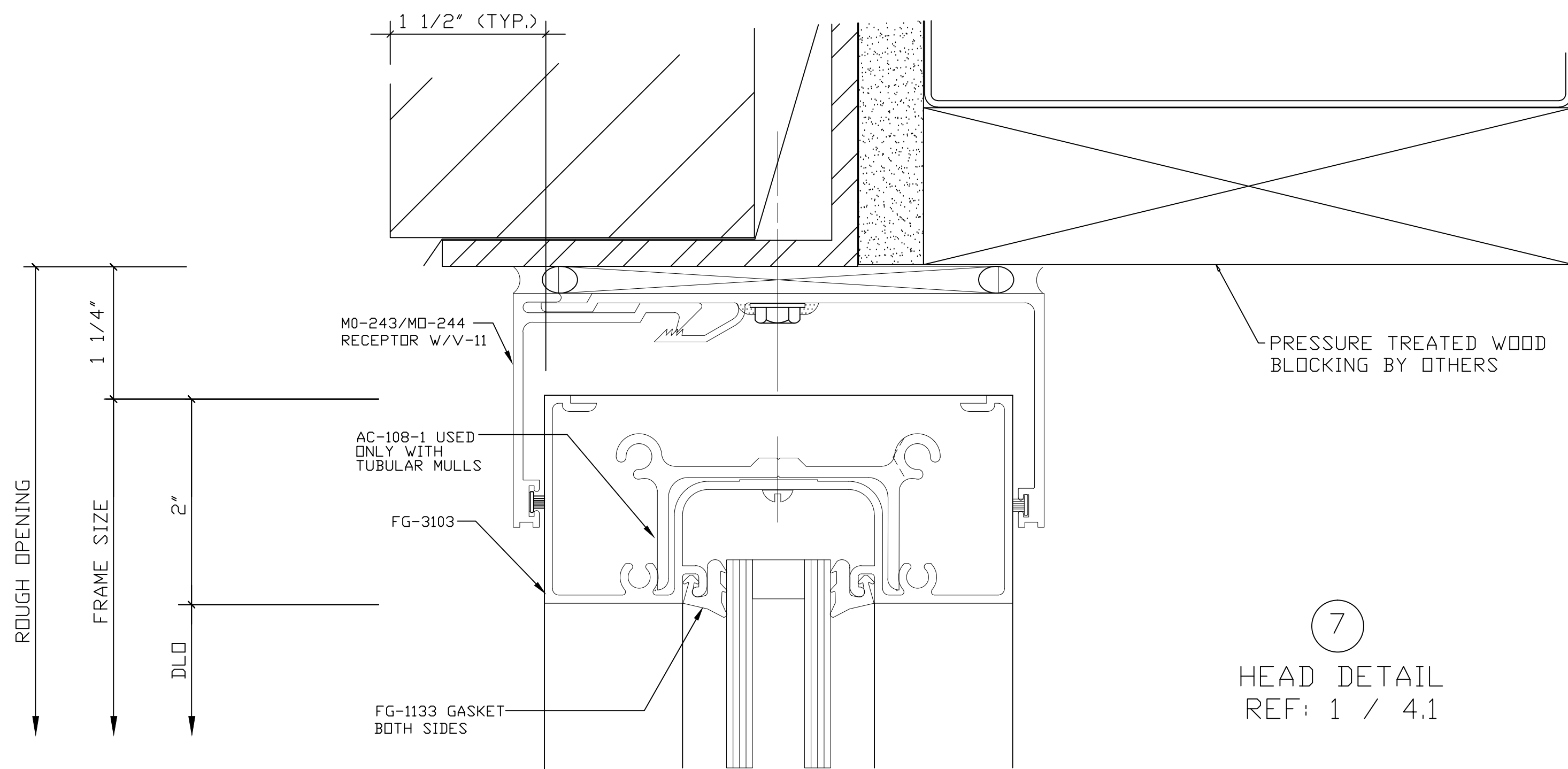
PROJECT MANAGER: T. MANSELL

DRAWN BY: MJC

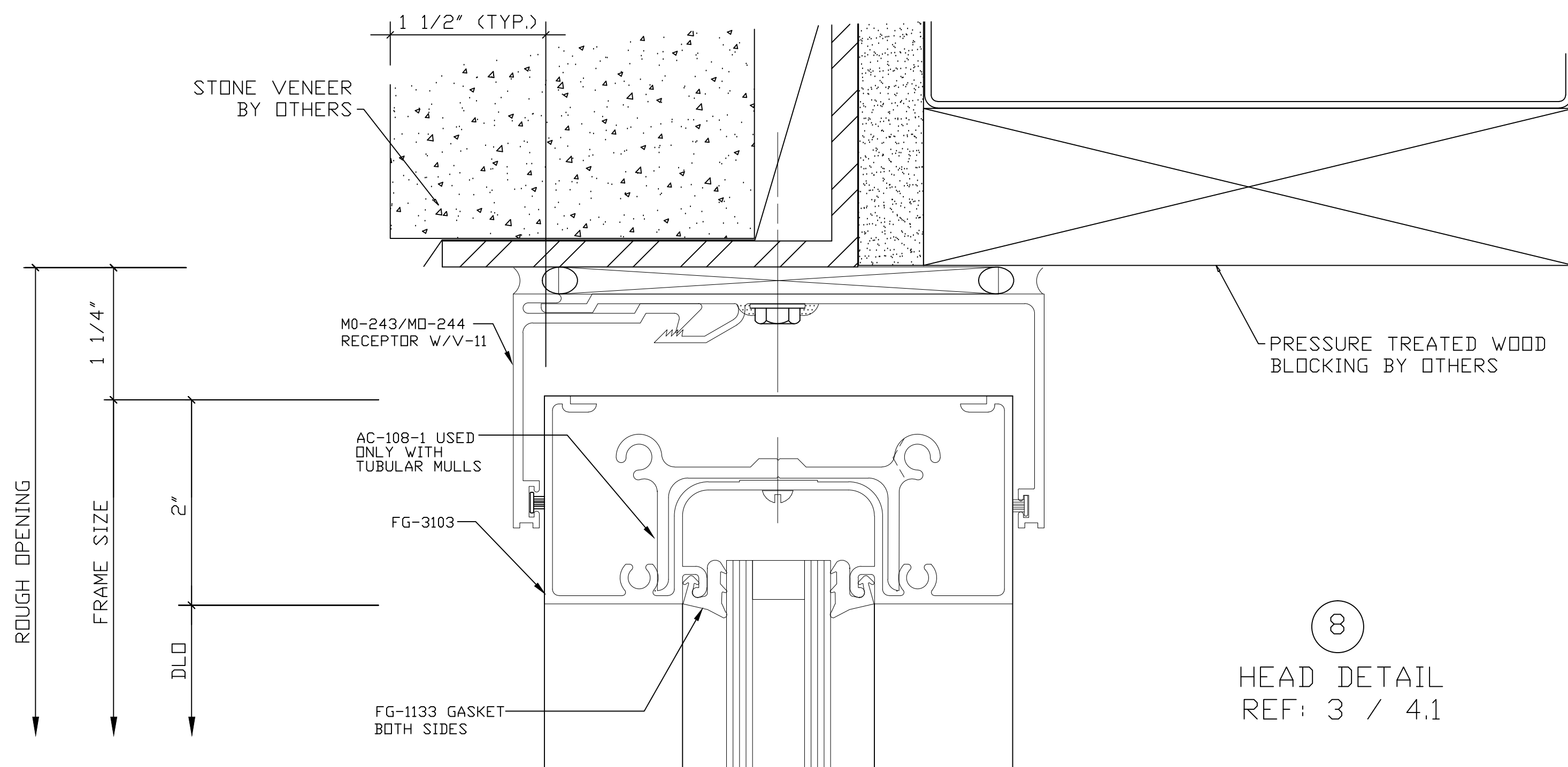
DATE: 01-14-11

DRAWING NO:

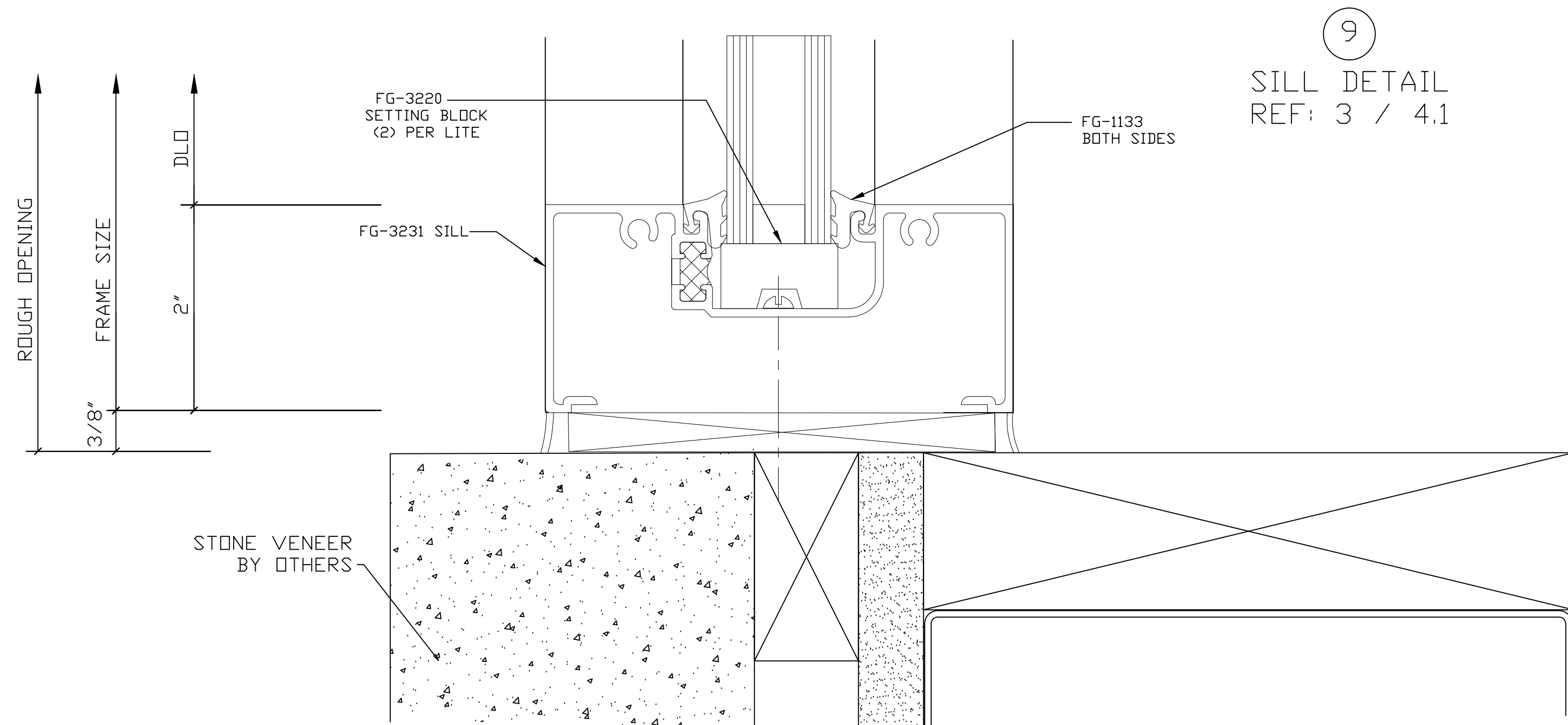
**D2**



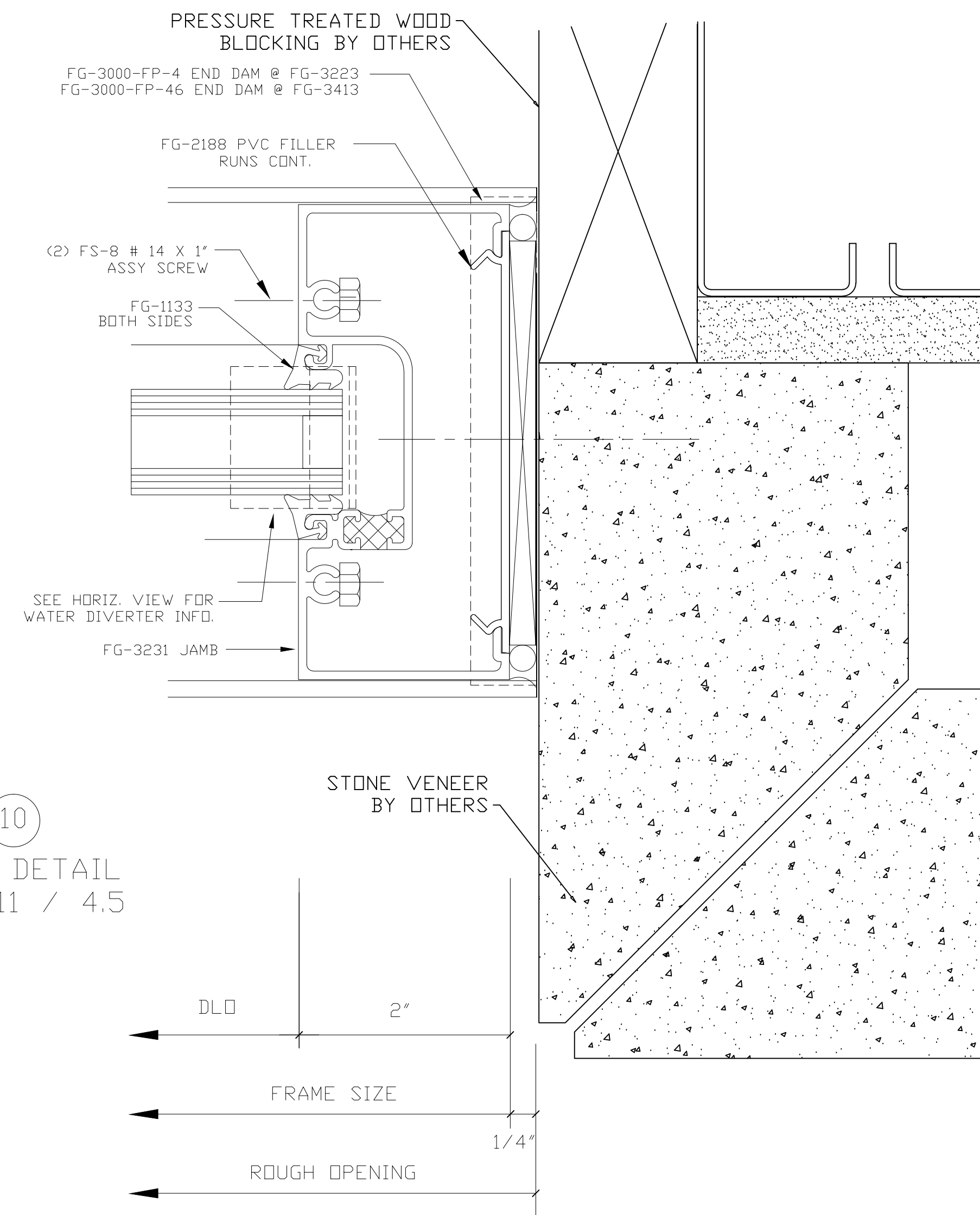
7  
HEAD DETAIL  
REF: 1 / 4.1



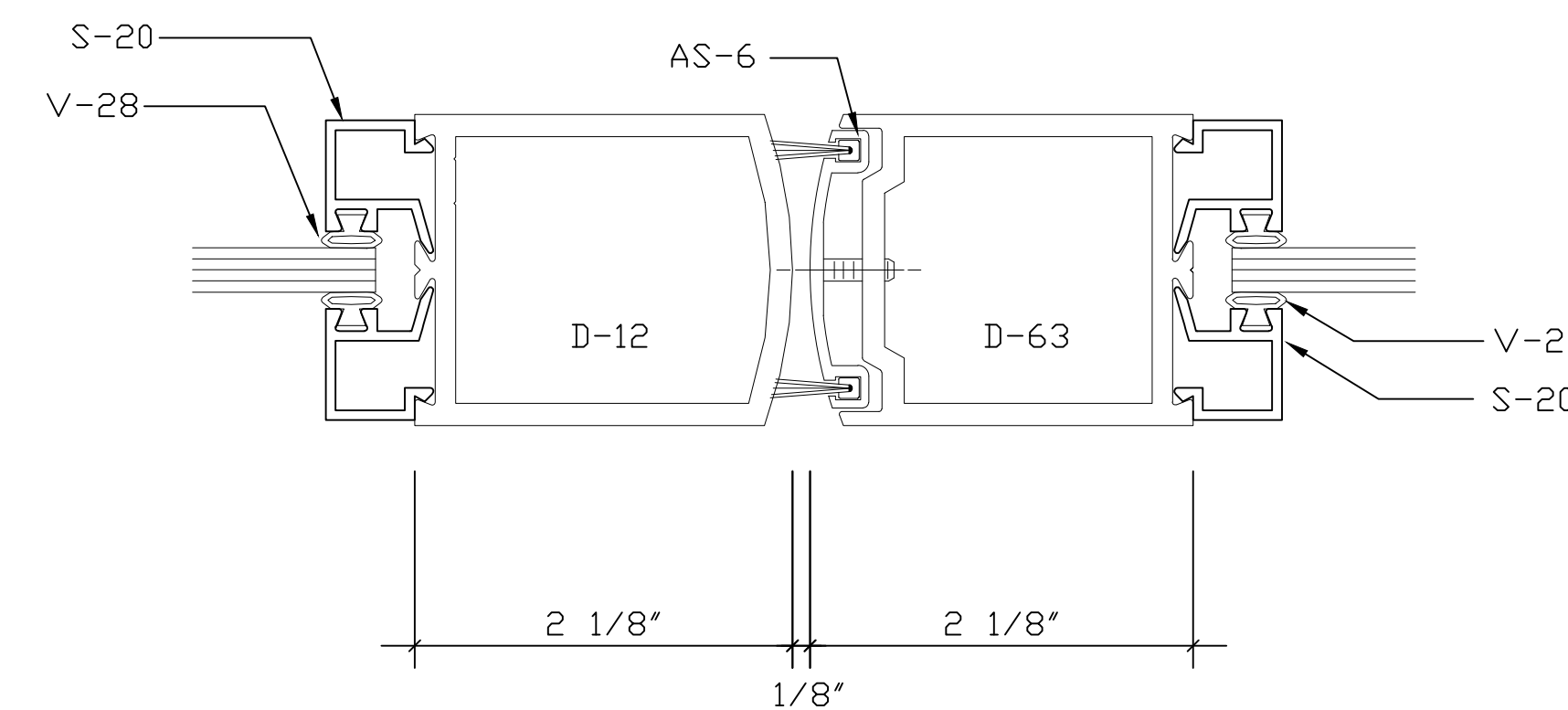
8  
HEAD DETAIL  
REF: 3 / 4.1



9  
SILL DETAIL  
REF: 3 / 4.1



10  
JAMB DETAIL  
REF: 11 / 4.5



11  
MEETING RAIL  
DETAIL