

IMPORTANT:
 These shop drawings are our interpretation of the contract documents. It shall be the responsibility of the General Contractor (or Construction Manager) to review these drawings for compliance with the design intent and Contract Documents. When these drawings are returned with "Approved" or "Approved As Noted" or "Reviewed" stamped on them, it shall constitute the General Contractor (or Construction Manager) and Architects agreement that the shop drawings do comply with the design intent and the contract documents.

DO NOT SCALE PLANS:
 Copying, Printing, Software and other processes required to produce these prints can stretch or shrink the actual paper or layout. Therefore, scaling of this drawing may be inaccurate. Contact the Glazing Contractor for any additional dimensions or clarifications.

DRAWINGS PREPARED BY:



Charrette Studios, Inc.
 23581 Donaldson St.
 Clinton Township, MI. 48035
 (586) 790-4329
 (586) 790-4346 (fx)

No.	Date	Subject
1	01-14-11	First Submittal

PROJECT NAME AND LOCATION:

EUCLID TECH CENTER
 6700 Euclid Avenue
 Cleveland, Ohio 44103

Storefront & Curtain Wall
 Shop Drawings

ARCHITECT:

GEIS COMPANIES
 10220 AURORA HUDSON ROAD
 STREETSBORO, OHIO 44241
 PH: 330-528-3500 | FAX: 330-528-0008

GENERAL CONTRACTOR:

GEIS COMPANIES
 10220 AURORA HUDSON ROAD
 STREETSBORO, OHIO 44241
 PH: 330-528-3500 | FAX: 330-528-0008

SEAL:

DRAWING TITLE:

DETAILS

SCALE: FULL

CSI PROJECT NO: 01031020

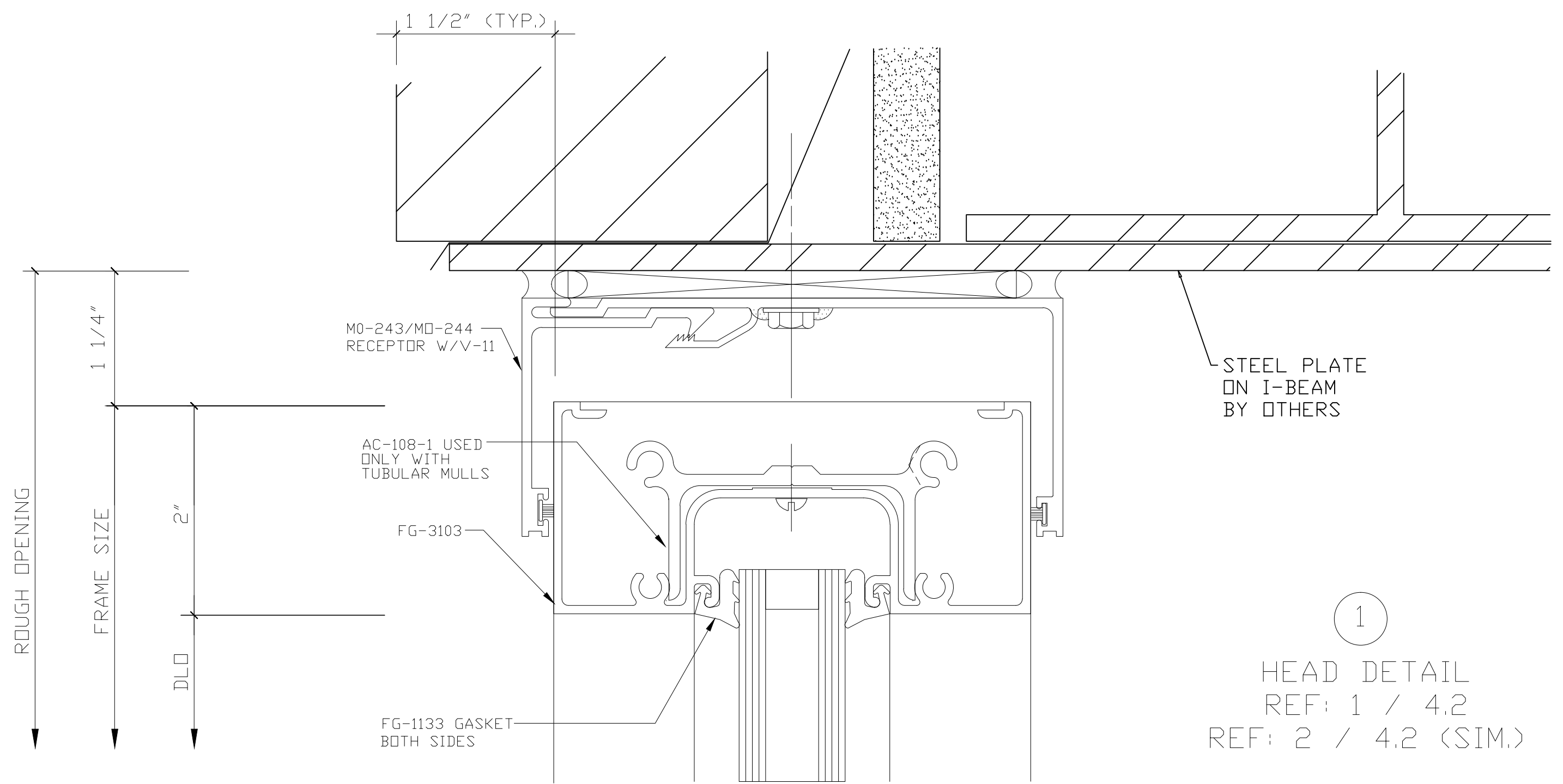
PROJECT MANAGER: T. MANSELL

DRAWN BY: MJC

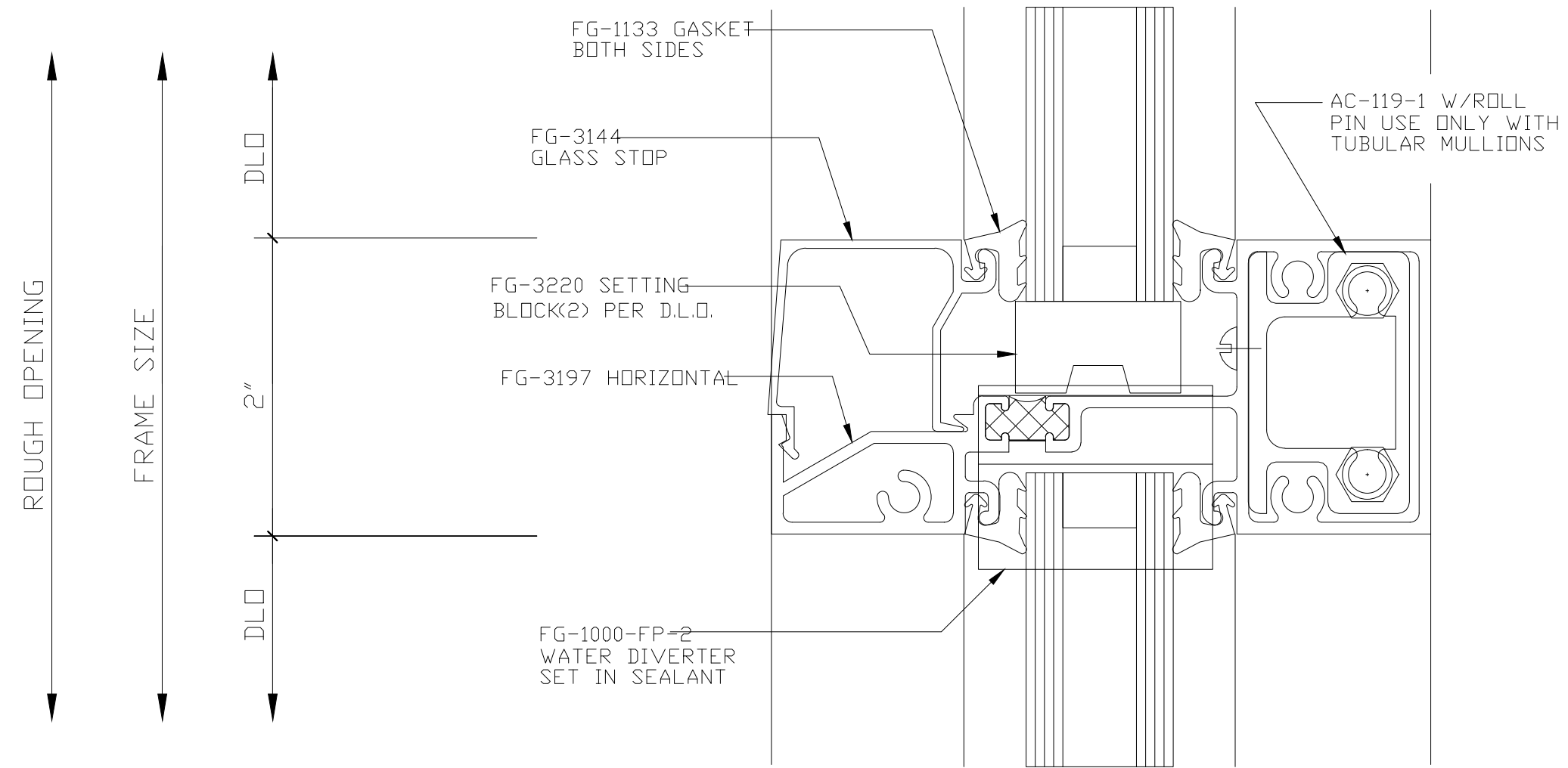
DATE: 01-14-11

DRAWING NO:

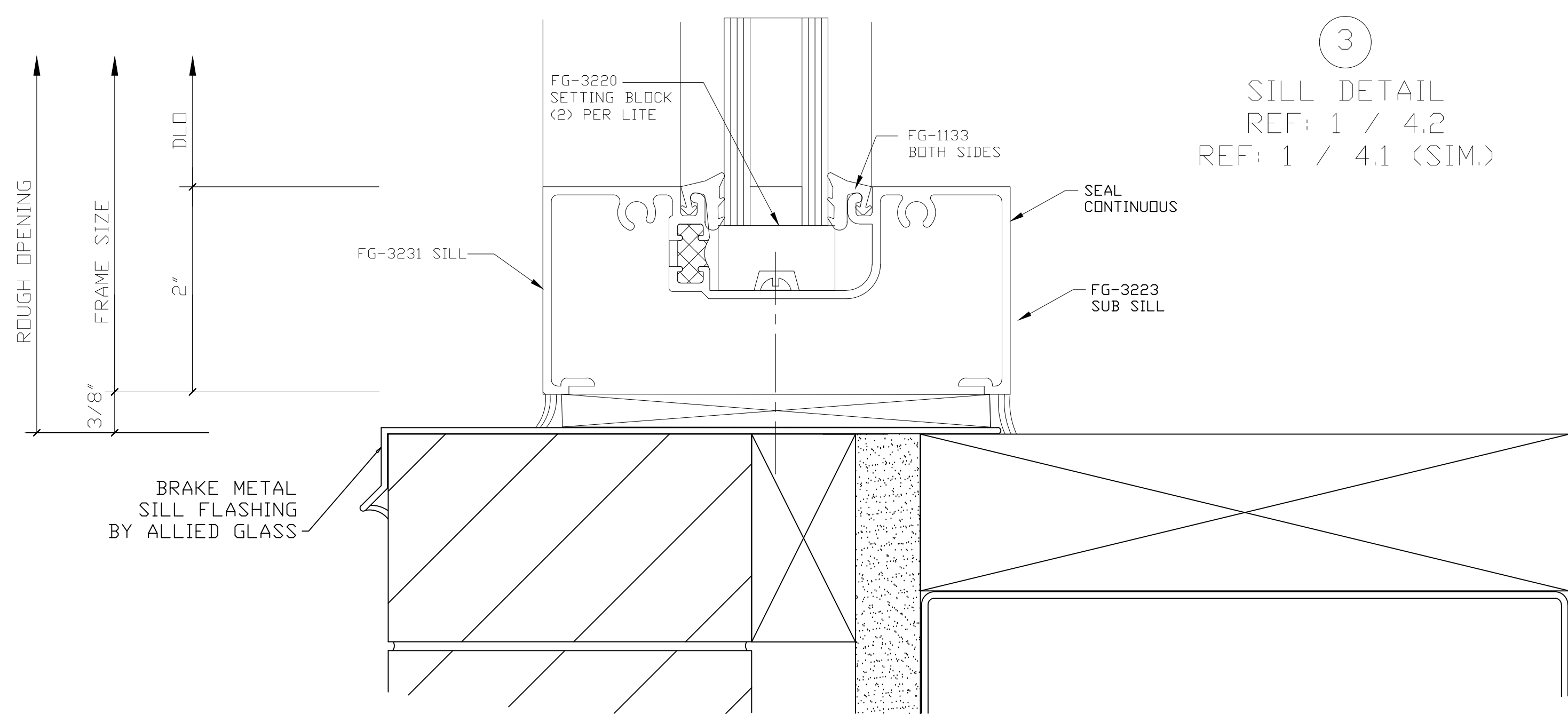
D1



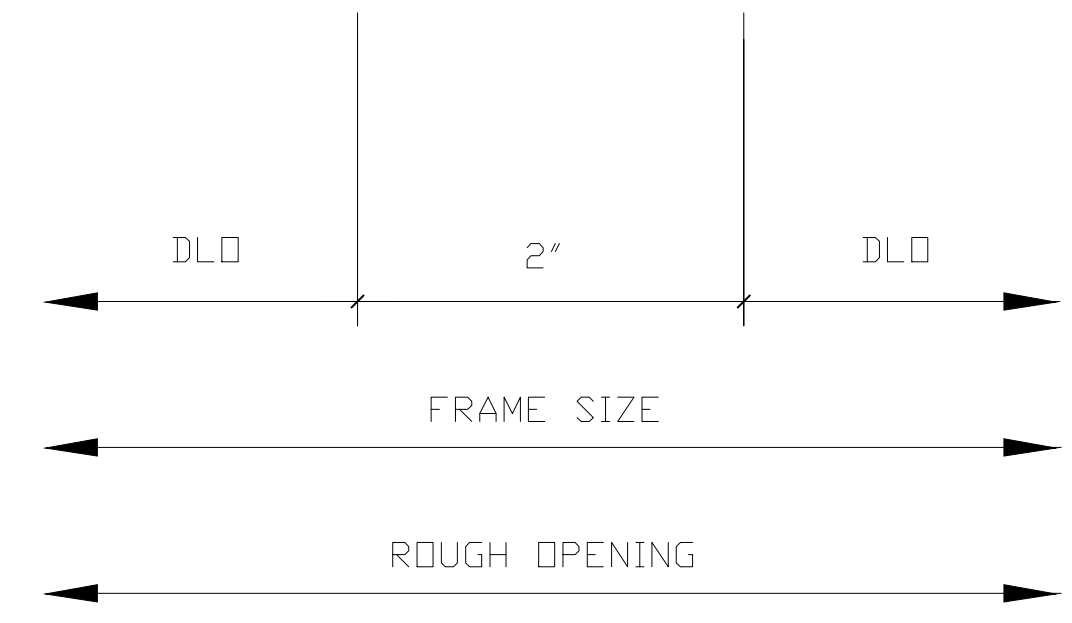
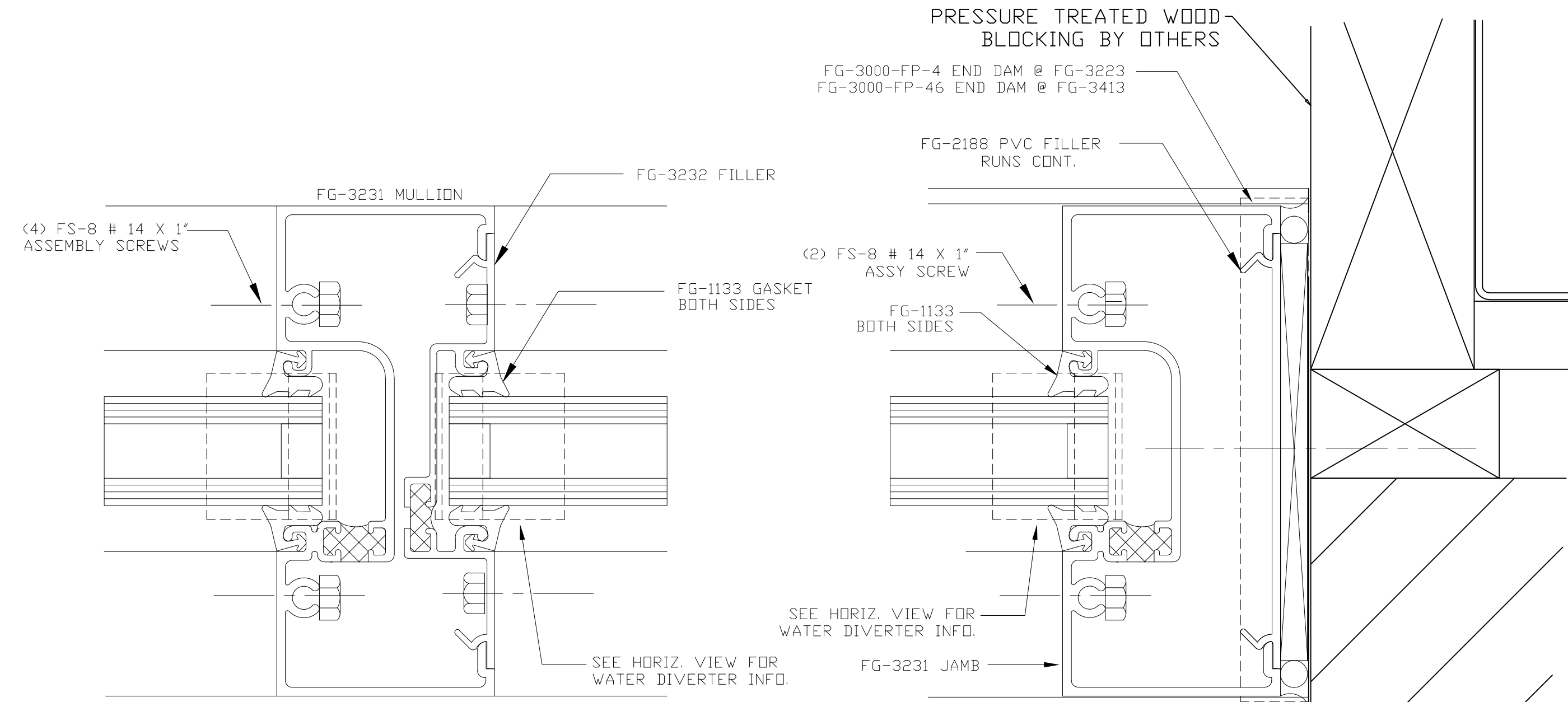
1
 HEAD DETAIL
 REF: 1 / 4.2
 REF: 2 / 4.2 (SIM.)



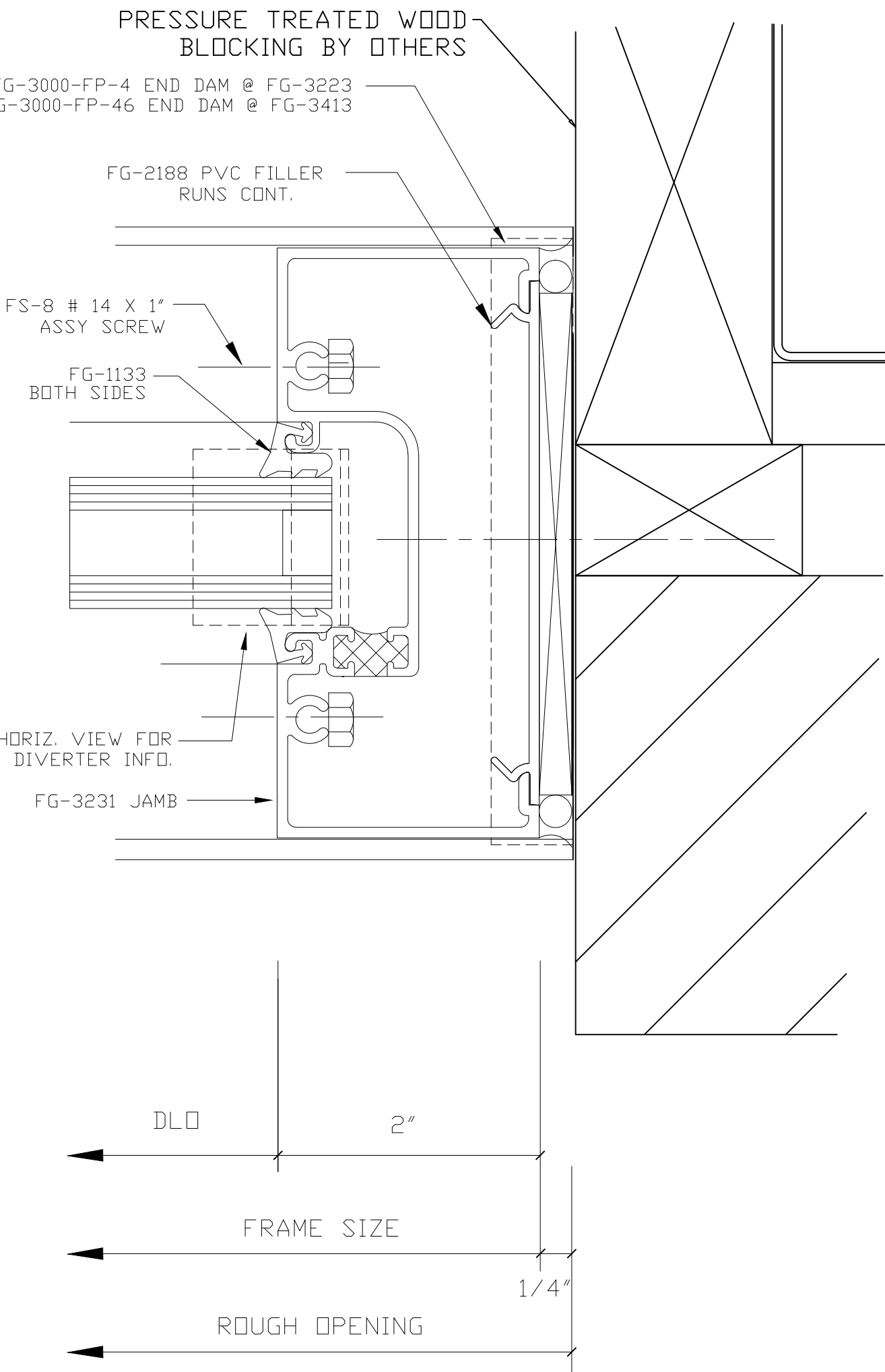
2
 HORIZONTAL
 MULLION DETAIL



3
 SILL DETAIL
 REF: 1 / 4.2
 REF: 1 / 4.1 (SIM.)



4
 VERTICAL
 MULLION DETAIL



5
 JAMB DETAIL
 REF: 9 / 4.5

6
 SILL DETAIL
 REF: 2 / 4.2